

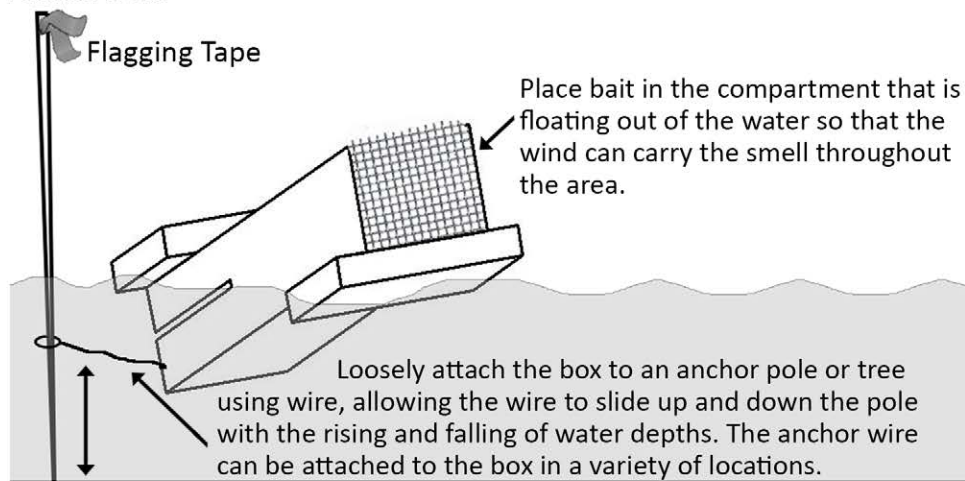
How to Build a Floating Mink Box



How to Set a Floating Mink Box

The Floating Mink Box is a water-based set that can be used in small ponds or streams before or after freeze-up.

Anchor Pole



**Illustration is one example of how to set the mink box.*

The idea behind this type of set is that the mink will swim to the box to try to get the bait. When that fails because of the galvanized mesh, the mink will dive underwater and swim up through the submerged end to get to the bait, where there is a 120 Conibear trap set and waiting.

For more information on Floating Mink Boxes or the Newfoundland marten, contact:

Intervale Associates
Attn: Brad LeDrew
PO Box 172, Doyles, NL A0N 1J0
Ph: (709)686-5927
Email: info@intervale.ca
www.intervale.ca

Newfoundland and Labrador
Wildlife Division
Ph: (709)637-2025
Email: endangeredspecies@gov.nl.ca



This project was undertaken with the financial support of:
Ce projet a été réalisé avec l'appui financier de :



Environment
Canada

Environnement
Canada



FSC® C009908

Introduction

The Floating Mink Box is a water-based trap intended for the capture of mink. The American mink, *Neovison vison*, is a semi-aquatic mustelid native to Labrador and introduced to Newfoundland. These instructions are intended to help trappers in the construction of a Floating Mink Box.

The box is designed to avoid problems associated with rising and falling water levels and to enable trappers to access mink close to urban areas without the risk of capturing domestic pets. The floating box, which is attached to a fixed object, rises and falls with the water levels and can be used effectively in rapidly flowing streams and brooks. It can also be set after freeze-up, enabling trappers to access mink during the entire season.

By using a water-based trap such as the Floating Mink Box, trappers decrease the risk of by-catch. This is especially important in preventing the accidental capture of Newfoundland marten, a distinct population that is listed as threatened and protected by law.

Experienced trappers have found the Floating Mink Box to be very effective.

“When I changed over to the Floating Mink Box, I found I actually caught more mink than I did with the land cubby, and, not only that, I could set them close to towns without the worry of catching someone's pet.

The pelt from the Floating Mink Box turned out to be a cleaner kill with no damage to the skin, which in turn yields me more money on the sale of my furs. Another great thing about the Floating Mink Box is that if you use the new 120 Super Conibear Trap, you can humanely trap otter in the same set.”

**- Member of the Newfoundland and
Labrador Trappers Association**

Benefits of a Floating Mink Box

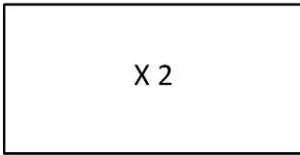
The Floating Mink Box is a water-based set that can be used in small ponds or streams before or after freeze-up.

The water-based set significantly reduces the risk of by-catch of domestic pets.

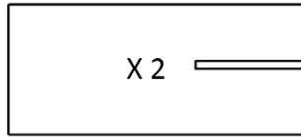
The use of a Floating Mink Box is proven effective in reducing accidental catch of Newfoundland marten—a distinct population of American marten that is listed as threatened under Canada's *Species at Risk Act* and the Newfoundland and Labrador *Endangered Species Act*.

Materials Needed

8" x 16" 5/8" Plywood

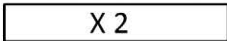


7" x 16" 5/8" Plywood

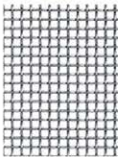


Cut out notch 3" from the top of the sides, about 1/2" X 6" to insert the trap

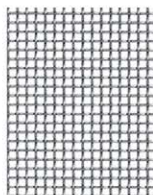
2" x 4" x 12" Lumber



2 Pieces Galvanized Wire Mesh



6 1/4" x 8"



7 3/4" x 10"

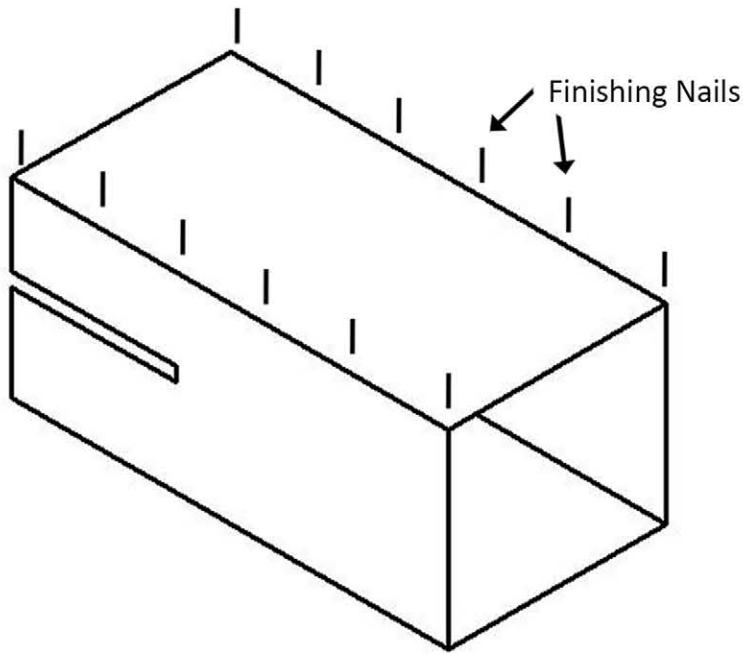
Additional Supplies

- 6" Piece of tie wire (1)
- 2" Finishing nails (24)
- 2" Screws (4)
- 1" Screws (3)
- Staple gun and staples

Building a Floating Mink Box

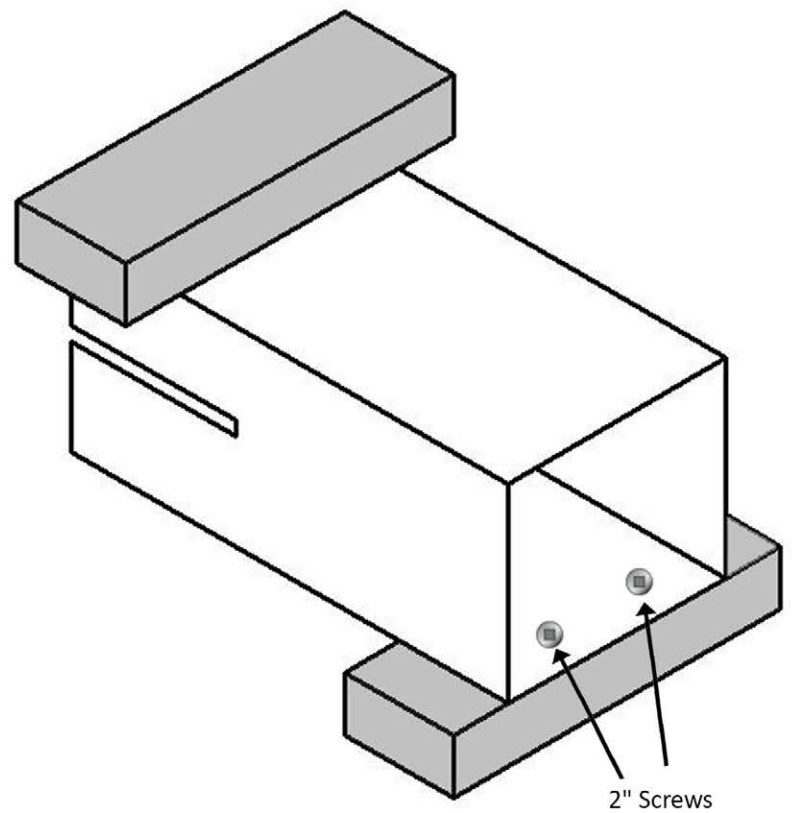
Step 1

- A) Take the 4 pieces of 5/8" plywood and make a box using the 2 notched pieces for the sides and the un-notched for the top and bottom.
- B) Fasten the pieces using the finishing nails or staples.



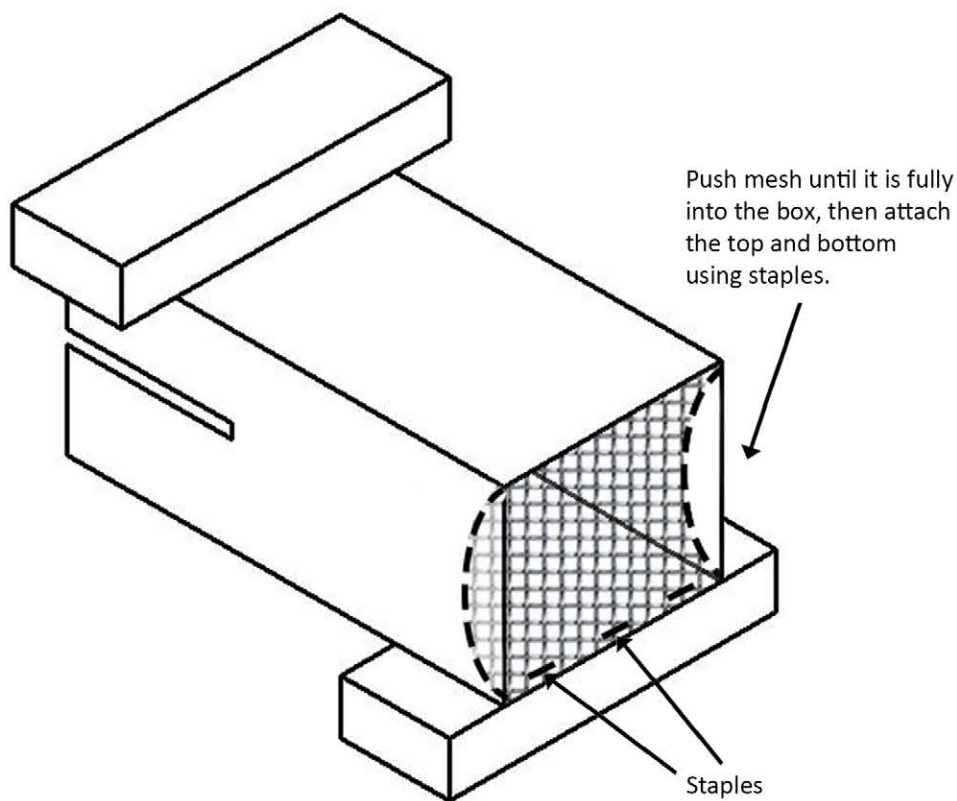
Step 2

- A) Using the four 2" screws, attach 2" x 4"s. Attach one 2" x 4" to the top side of the notched end of the box and attach the other 2" x 4" to the underside of the opposite end.



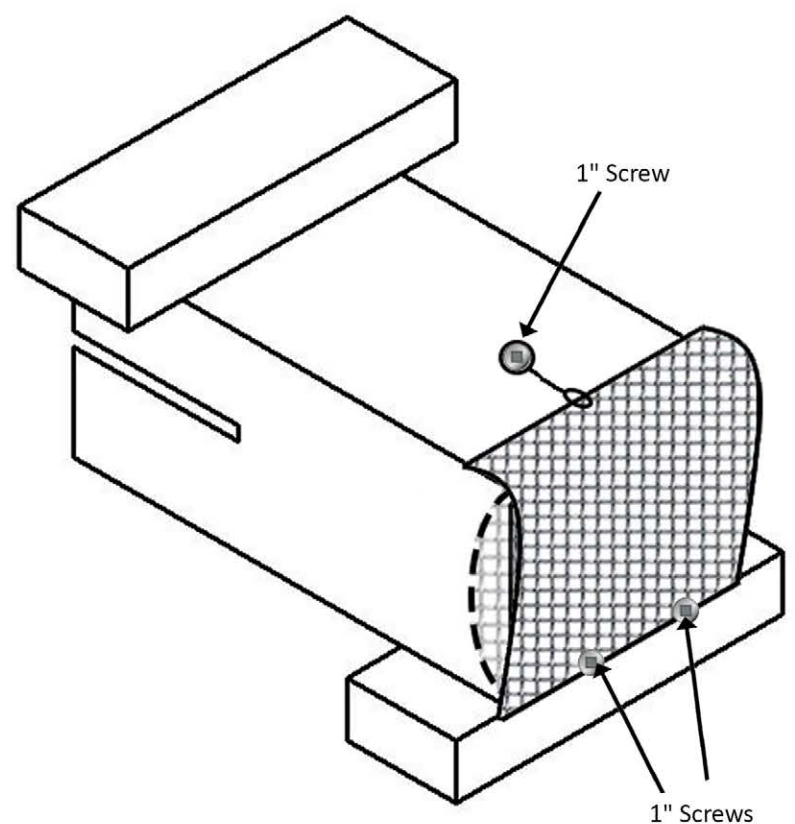
Step 3

- A) Take the galvanized wire mesh cut 6 1/4" x 8" and push it into the un-notched end of the box until the edges are just inside the un-notched end, making a curved pocket.
- B) Attach the mesh to the inside of the box using the staple gun.



Step 4

- A) Using two 1" screws, attach the galvanized wire mesh cut 7 3/4" x 10" to the bottom outside edge of the un-notched end to create a door for the bait compartment.
- B) Attach the last 1" screw about 4" back from the un-notched end, leaving it half-way tight.
- C) Bend the galvanized mesh door up over the top toward the new screw and, using the piece of tie wire 6" long, attach the mesh to the screw. This will act as a lock for your bait door.



Once the box is finished, it will be ready to use as a water-based trap with the accompaniment of a Conibear 120 kill trap. The Conibear trap should slide into the notched end of the mink box. To avoid losing the Conibear trap, it is recommended that you secure it to the outside of the mink box.

